

129 → 478 Kg

Depositi ghiaccio / Slope bins storage:  
MG105 - MG155 - MG205 - MG255 - MG305 - MG405 - MG505

Slope bins  
Storage  
Ice handling system

## CARATTERISTICHE

- Nuovo elegante, stile contemporaneo.
- Una combinazione perfetta per le macchine del ghiaccio modulari e le altre macchine Icematic.
- Paletta ghiaccio incorporata, e trattamento Antibatterico Microban per una migliore sanitizzazione.
- Isolamento poliuretano ad alta densità.
- Deposito interno in polietilene lineare, per la massima compatibilità con gli alimenti e raggiata per agevolare la pulizia, inoltre è resistente ai graffi causati dal prelievo del ghiaccio.
- Parte frontale e perimetrale del deposito in acciaio, e sportello accesso ghiaccio resistente agli urti in plastica ottenuta con tecnologia rotocast.
- Regolazione piedini da 135 mm a 185 mm.
- Deposito con ruote, disponibile su richiesta.
- Guarnizione sportello ghiaccio totalmente removibile e che isola riducendo lo scioglimento del ghiaccio, facilmente asportabile e pulibile.
- Scarico del deposito con tubo ruotabile di 360°, di facile connessione con ogni scarico a pavimento.



## FEATURES

- New sleek, contemporary styling.
- A perfect match to Modular ice machine and other Icematic Ice Machines.
- Scoop incorporates, antimicrobial Microban for better sanitation.
- Polyurethane Insulation, high density.
- Polyethylene bin interior, is sanitary and easy to clean, and resist scratches and scuffs from ice scoops.
- Stainless steel bin exterior, robust door frame will resist operational abuse (rotocast technology).
- Adjustment of feet from 135 mm to 185 mm.
- Bin Caster available on request.
- Fully removable door gasket seals door opening to reduce ice melt, easily disassembled for manual cleaning.
- Storage bin base drain tube conveniently rotates at 360° radius to allow ease-of-connection with any floor water drain position.

Mod.	Volume interno Internal Volume	Max Capacità ghiaccio Max Ice Capacity	Dimensioni (LPH) Dimension (WDH)	Peso netto Net Weight	Peso lordo Gross Weight	Dati spedizione Shipping data
<b>MG105</b>	0,264 m <sup>3</sup>	129 Kg* 101 Kg**	568 x 848 x 1048 mm	36 Kg	50 Kg	620 x 885 x 1060 mm 50 kg ca.
<b>MG125</b>	0,250 m <sup>3</sup>	123 Kg* 96 Kg**	769 x 850 x 800 mm	36 Kg	50 Kg	620 x 885 x 1060 mm 50 kg ca.
<b>MG155</b>	0,340 m <sup>3</sup>	168 Kg* 132 Kg**	568 x 880 x 1270 mm	48 Kg	62 Kg	620 x 940 x 1310 mm 62 kg ca.
<b>MG205</b>	0,368 m <sup>3</sup>	181 Kg* 141 Kg**	768 x 848 x 1048 mm	43 Kg	56 Kg	822 x 885 x 1080 mm 56 kg ca.
<b>MG255</b>	0,496 m <sup>3</sup>	243 Kg* 191 Kg**	770 x 880 x 1270 mm	55 Kg	70 Kg	830 x 950 x 1310 mm 70 kg ca.
<b>MG305</b>	0,513 m <sup>3</sup>	252 Kg* 197 Kg**	1081 x 824 x 968 mm	48 Kg	63 Kg	1140 x 910 x 960 mm 63 kg ca.
<b>MG405</b>	0,830 m <sup>3</sup>	406 Kg* 319 Kg**	1235 x 873 x 1270 mm	73 Kg	97 Kg	1300 x 940 x 1310 mm 97 kg ca.
<b>MG505</b>	0,970 m <sup>3</sup>	478 Kg* 375 Kg**	1331 x 880 x 1270 mm	77 Kg	100 Kg	1390 x 940 x 1310 mm 100 kg ca.

\* : Capacità "Application" calcolata sul 90% del volume totale in metri cubi moltiplicato per 545 kg/m<sup>3</sup> / Application capacity is calculated on 90% of total volume in the cubic feet x 34 lb/ft<sup>3</sup> - 545 kg/m<sup>3</sup>

\*\* : Capacità "AHRI" calcolata sull'80% del volume totale in metri cubi moltiplicato per 481 kg/m<sup>3</sup> / AHRI capacity is calculated on 80% of total volume in the cubic feet x 30 lb/ft<sup>3</sup> - 481 kg/m<sup>3</sup>

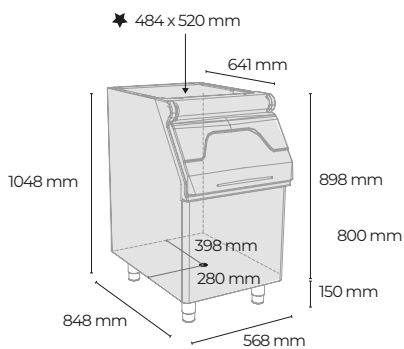
129 → 478 Kg

Depositi ghiaccio / Slope bins storage:  
MG105 - MG155 - MG205 - MG255 - MG305 - MG405 - MG505

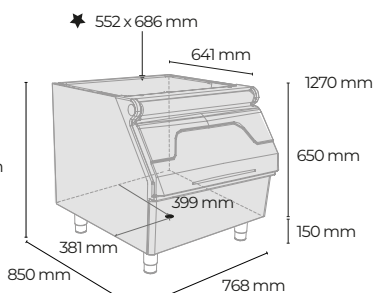
Slope bins  
Storage  
Ice handling system

## DIMENSIONI - DIMENSIONS

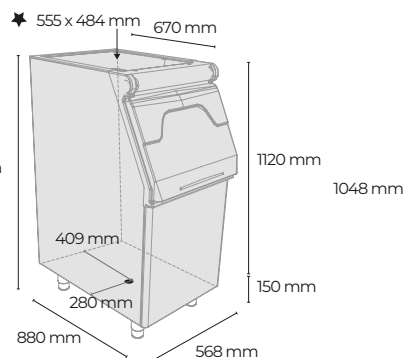
**MG 105**



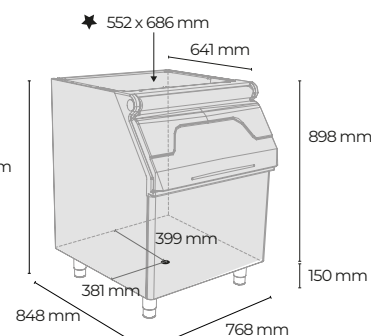
**MG 125**



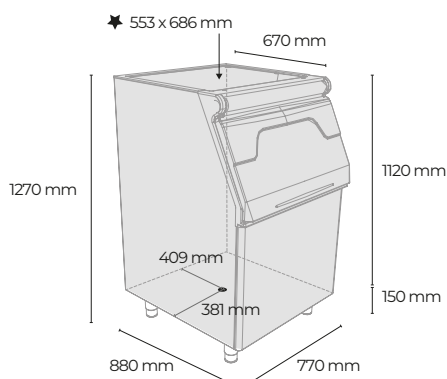
**MG 155**



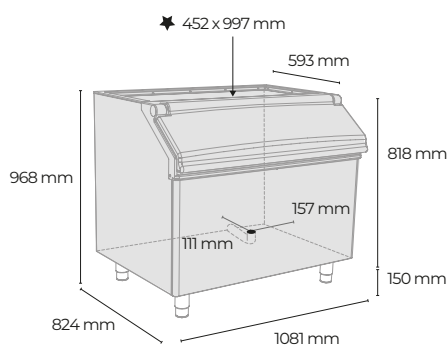
**MG 205**



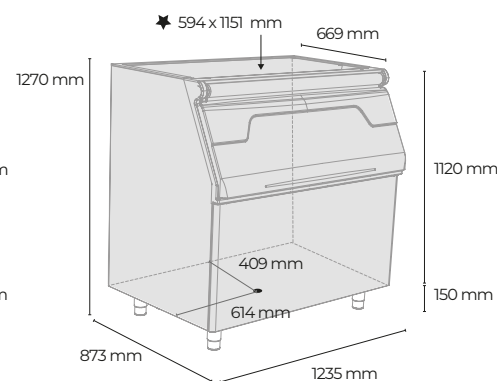
**MG 255**



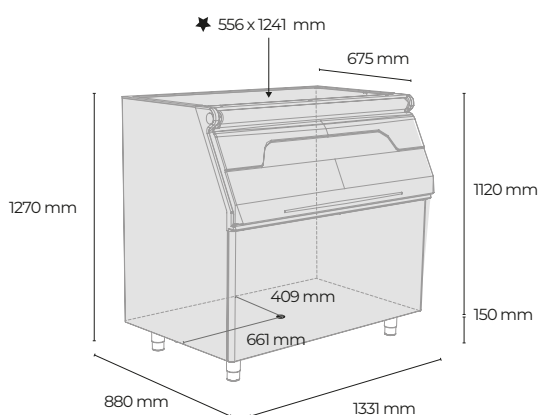
**MG 305**



**MG 405**



**MG 505**



★ Area caduta ghiaccio / Ice drop area

Mod.	Produttori Ghiaccio Ice Machines	Adattatore Adapter
<b>MG105</b>	M145F/M195F/M145/M195	KBD105-155
	B125F/B165F/B205F/B125/B165/B205 G125F/G165F/G205F/G125/G165/G205	
<b>MG155</b>	M145F/M195F/M145/M195	KBD105-155
	B125F/B165F/B205F/B125/B165/B205 G125F/G165F/G205F/G125/G165/G205	
<b>MG125</b>	M145F/M195F/M145/M195	KM205-255
	M205F/M305F/M405F/M505F/M205/M305/M405	
<b>MG205</b>	B125F/B165F/B205F/B125/B165/B205 G125F/G165F/G205F/G125/G165/G205	KB205-255
	B305S F/B305S /G305SF/G305S	
<b>MG255</b>	M145F/M195F/M145/M195	KM205-255
	M205F/M305F/M405F/M505F/M205/M305/M405	
	B125F/B165F/B205F/B125/B165/B205 G125F/G165F/G205F/G125/G165/G205	
<b>MG305</b>	B305S F/B305S /G305SF/G305S	KB205-255
	M205F/M305F/M405F/M505F/M205/M305/M405	
	B125F/B165F/B205F/B125/B165/B205 G125F/G165F/G205F/G125/G165/G205	
<b>MG405</b>	B305S F/B305S /G305SF/G305S	KB305
	M205F/M305F/M405F/M505F/M205/M305/M405	
	B125F/B165F/B205F/B125/B165/B205 G125F/G165F/G205F/G125/G165/G205	
<b>MG505</b>	B305S F/B305S /G305SF/G305S	KB305
	M205F/M305F/M405F/M505F/M205/M305/M405	
	B125F/B165F/B205F/B125/B165/B205 G125F/G165F/G205F/G125/G165/G205	
<b>MG505</b>	B305S F/B505F/B305S/B505 /G305SF/G305S/C505F/C505	KBM505
	M205F/M305F/M405F/M505F/M205/M305/M405	
	B125F/B165F/B205F/B125/B165/B205 G125F/G165F/G205F/G125/G165/G205	
<b>MG505</b>	B305S F/B505F/B305S/B505 /G305SF/G305S/C505F/C505	KBM505
	M205F/M305F/M405F/M505F/M205/M305/M405	
	B125F/B165F/B205F/B125/B165/B205 G125F/G165F/G205F/G125/G165/G205	

Piedi regolabili 130-185 mm / Adjustable legs 5 2/16"-7 4/16"  
Scarico deposito diametro 20 mm / Discharge bin water diameter 12 / 6"