

DOLCE & SALATO

DISPLAY & STORAGE

BEVANDE & VINI

MEDITERRANEO

EXPO SHOW

GALLERY

PUB&PERLA

BANCOBAR

CUSTOM EQUIPMENT

DROP-IN

EXCLUSIVE COLD

EXCLUSIVE HOT

BEST COLD

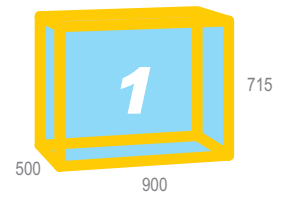
BEST HOT

SISTEMA CENTER

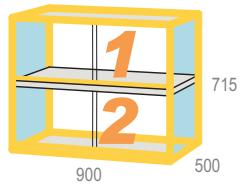
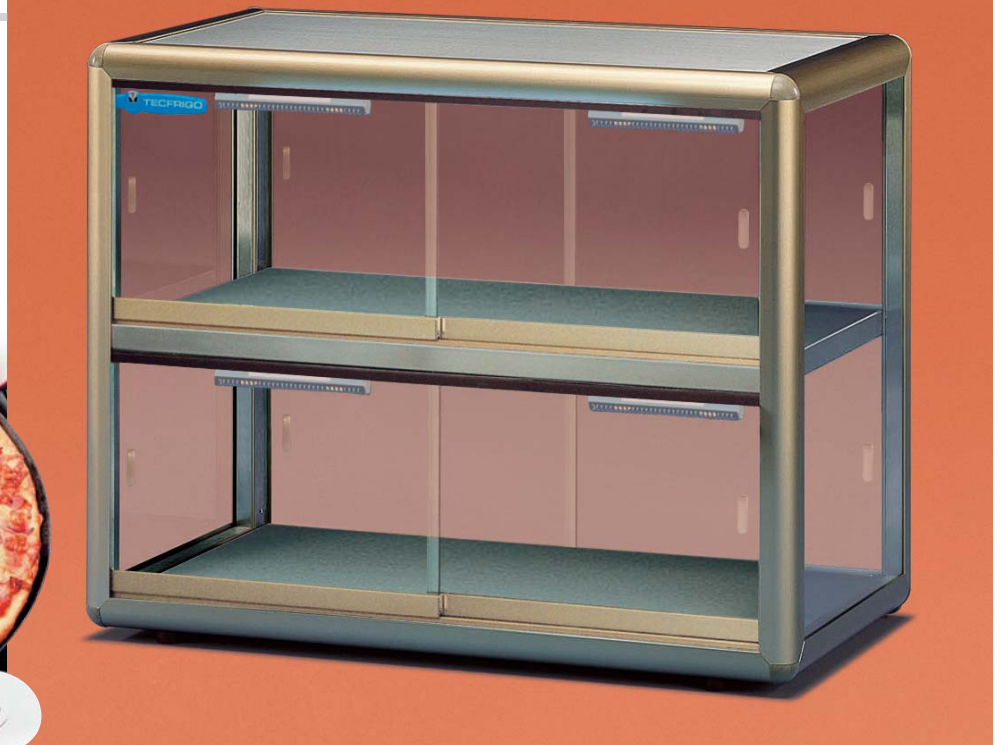
SISTEMA WALL

SISTEMA ASSISTED

Orizont 200 Q Neutral



Orizont 202 Q Hot

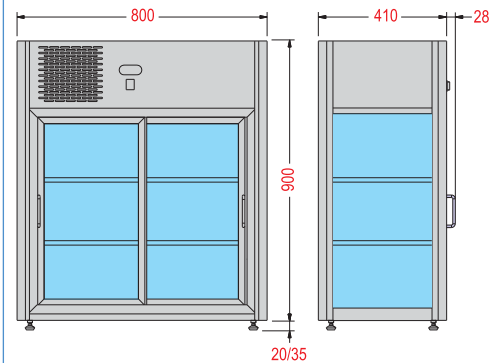


Ripiani riscaldati  
Heated plates  
Plateaux Chauffés  
Gewärmteflächen  
Platos Rescaldados

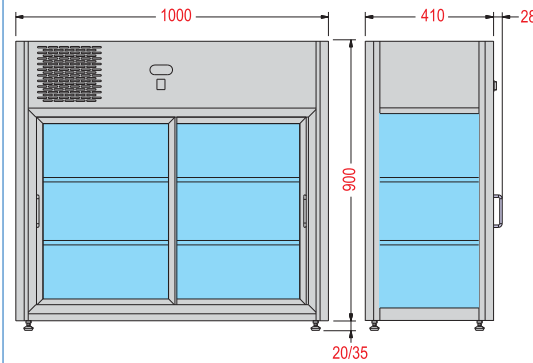


<b>Orizont 200 Q Neutral</b>	Lt. 200	Watt 50	n. 2 mm. 875x410	°C AMBIENT	-	-	230v/1/50Hz	-	-	Kg. 42
<b>Orizont 202 Q Hot</b>	Lt. 200	Watt 2450	n. 2 mm. 830x490	°C +35/+70	-	-	230v/1/50Hz	-	-	Kg. 35

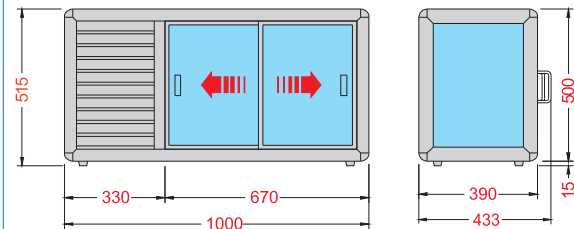
LINUS 150



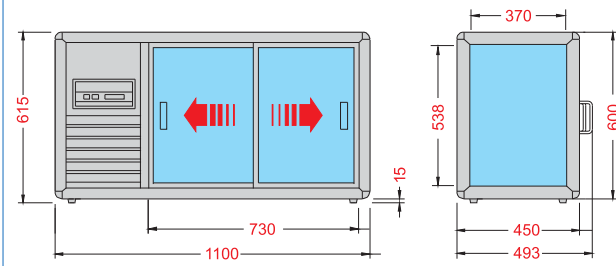
LINUS 200



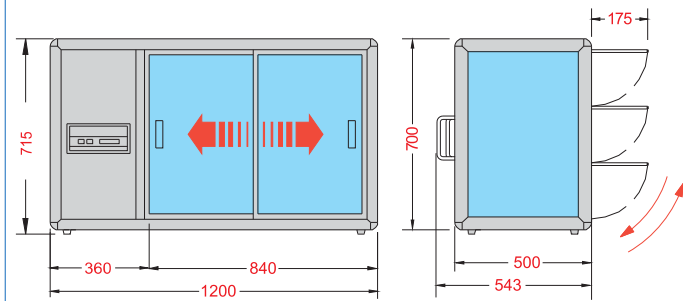
ORIZONT 100 Q



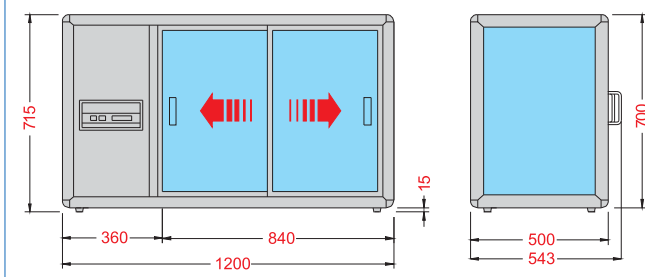
ORIZONT 150 Q



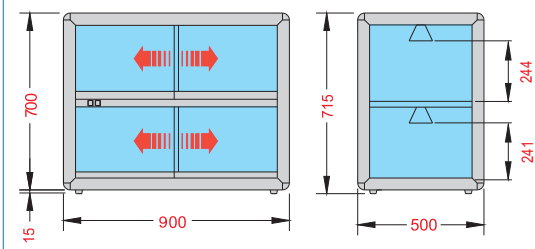
ORIZONT 200 Q Self Service



ORIZONT 200 Q



ORIZONT 202 Q Hot



ORIZONT 200 Q Neutral

