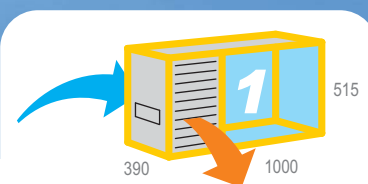
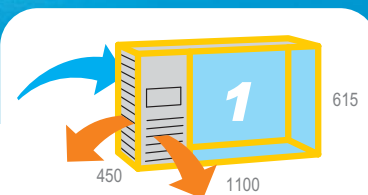


Orizont 100 Q



Orizont 150 Q



| | | | | | | | | | | |
|----------------------|---------|----------|------------------|-----------|-----------|--|-------------|--|-------|--------|
| Orizont 100 Q | Lt. 100 | Watt 350 | n. 2 mm. 600x275 | °C +4/+10 | % U.R. 75 | | 230v/1/50Hz | | R134a | Kg. 54 |
| Orizont 150 Q | Lt. 150 | Watt 353 | n. 2 mm. 665x330 | °C +4/+10 | % U.R. 75 | | 230v/1/50Hz | | R134a | Kg. 72 |

Dati di collaudo • Test details • Détails d'essai • Prüfungsergebnisse • Datos de ensayo • MAX = (25°C - % U.R. 60)

DOLCE & SALATO

DISPLAY & STORAGE

BEVANDE & VINI

MEDITERRANEO

EXPO SHOW

GALLERY

PUB&PERLA

BANCOBAR

CUSTOM EQUIPMENT

DROP-IN

EXCLUSIVE COLD

EXCLUSIVE HOT

BEST COLD

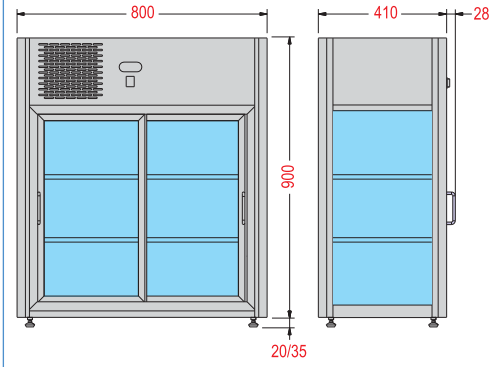
BEST HOT

SISTEMA CENTER

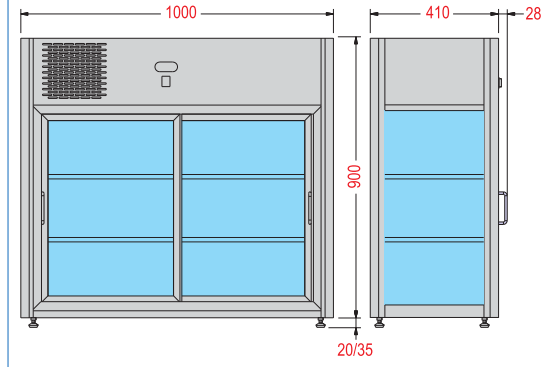
SISTEMA WALL

SISTEMA ASSISTED

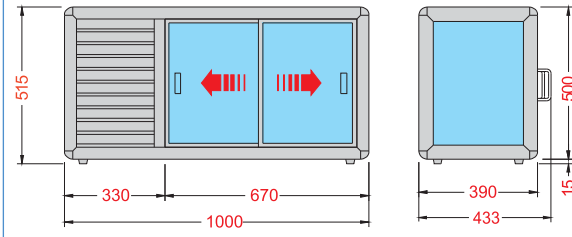
LINUS 150



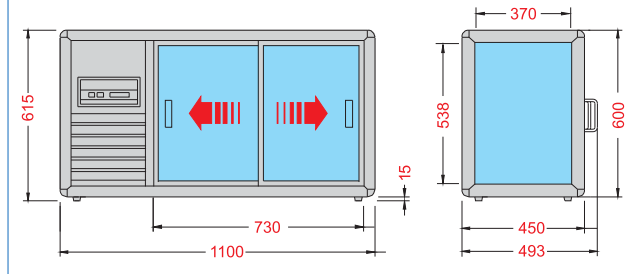
LINUS 200



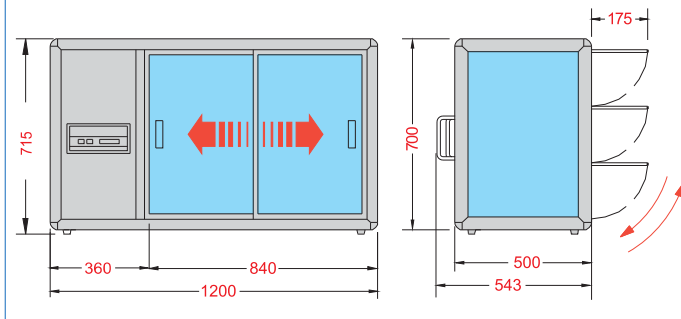
ORIZONT 100 Q



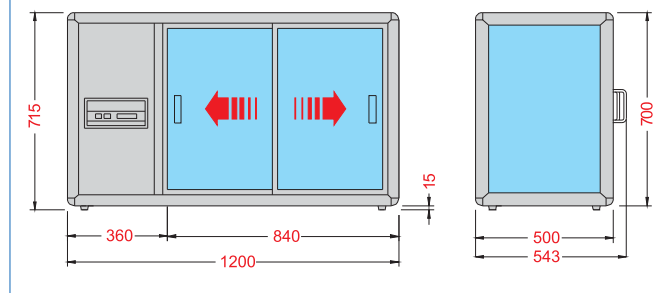
ORIZONT 150 Q



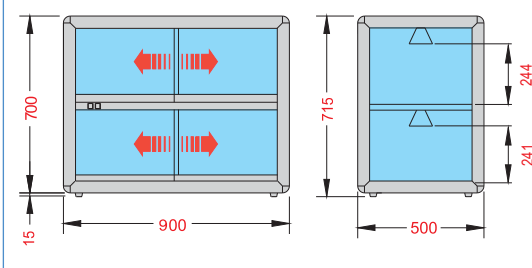
ORIZONT 200 Q Self Service



ORIZONT 200 Q



ORIZONT 202 Q Hot



ORIZONT 200 Q Neutral

