

THE MOST EFFICIENT UNIT FOR CONVERTING AN ICEBOX OR INSULATED CAVITY INTO A GOOD REFRIGERATOR.

D.C. REFRIGERATION

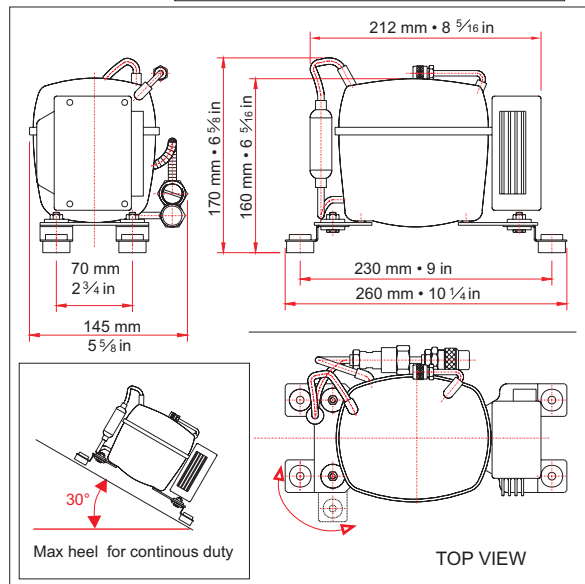
FRIGOMATIC K35F & K50F

- Water cooling with keel cooler saves more than 20% compared to air cooling.
- Keel cooler eliminates the need of independent sea water pump.
- Danfoss compressor of the latest generation with electrical consumption 25% lower compared to other compressor concepts.
- Extremely compact dimensions.
- Maximum efficiency.
- Precharged system equipped with Frigoboat self sealing couplings.
- Configuration with evaporators for fridges up to 350 litres (12 cu.ft.) and freezers up to 80 litres (2.8 cu.ft.).
- Version with holding plate for fridges up to 160 litres.
- Automatic battery protection.
- Optional 230V automatic mains adaptor.

-25%



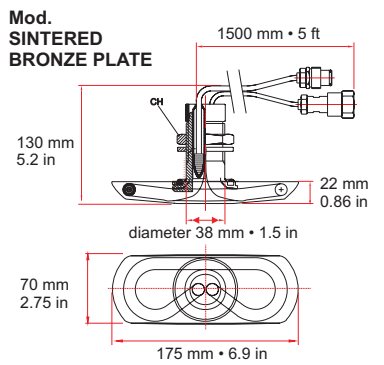
K 35 F Part N. E50345X
K 50 F Part N. E51975



Automatically runs on either 12 to 24 Volts



THE KEEL COOLER IS MANUFACTURED FROM MARINE GRADE BRONZE WITH CUPRO-NIKEL PIPING.



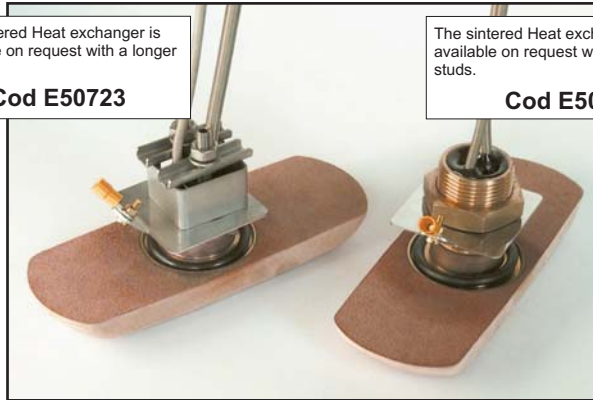
ALL MODELS AVAILABLE WITH ZINC ANODES (add Z to part N.)

The sintered Heat exchanger is available on request with a longer thread.

Cod E50723

The sintered Heat exchanger is available on request with longer studs.

Cod E50362



Cod E50722
THREAD MOUNT

Cod E50361
STUD MOUNT

D.C. REFRIGERATION

PRECHARGED EXTENSIONS
(Options)

COMPRESSOR SIDE EVAPORATOR SIDE

| L | Part N.. |
|---------|----------|
| 1m•3ft | E50255 |
| 2m•6ft | E50260 |
| 3m•10ft | E50265 |
| 4m•13ft | E50270 |
| 5m•16ft | E50275 |
| 6m•20ft | E50280 |

Automatic mains adaptor 230V **E51305**

Vertical ice tray single **A090400** double **A090500**

FRIGOMATIC K35F & K50F

SYSTEM CONFIGURATION

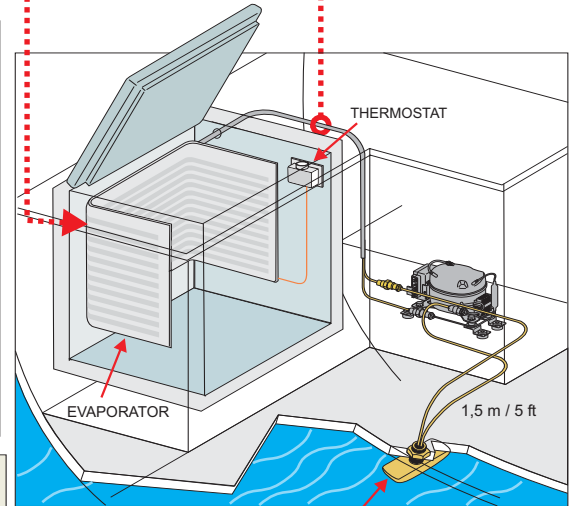


TABLE OF EVAPORATOR COMPATIBILITY

| EVAPORATOR MODEL | Part N. | MAXIMUM CAPACITY LITRES/cu.ft. | | | DIMENSIONS (mm•in) | | | | |
|-------------------|---------|--------------------------------|---------|---------|--------------------|-------|------------|-----------|-----------|
| | | FRIDGE | RPM* | FREEZER | RPM* | WIDTH | DEPTH | HEIGHT | |
| FRIGOMATIC K 35F | 130H | E50065 | 120•4.2 | 2500 | 50•1.8 | 3000 | 255•10 | 210•8.26 | 70•2.75 |
| | 160H | E50090 | 160•5.6 | 2500 | 60•2.1 | 3000 | 320•12.6 | 210•8.26 | 115•4.52 |
| | 80F | E50881 | 80•2.8 | 2000 | ---- | ---- | 330•13 | ----- | 245•9.65 |
| | 130F | E50085 | 160•5.6 | 2500 | 60•2.1 | 3000 | 590•23.22 | ----- | 210•8.26 |
| | 160F | E50095 | 180•6.3 | 2500 | 70•2.5 | 3500 | 805•31.7 | ----- | 210•8.26 |
| FRIGOMATIC K 50 F | 200H | E50070 | 200•7 | 3000 | 80•2.8 | 3500 | 360•14.17 | 270•10.63 | 150•5.9 |
| | 200F | E50075 | 240•8.5 | 3000 | 80•2.8 | 3500 | 1020•40.15 | ----- | 270•10.63 |
| | 200B | E50100 | 220•7.8 | 3000 | 80•2.8 | 3500 | 325•12.8 | 245•9.65 | 270•10.63 |
| | 340B | E50105 | 340•12 | 3500 | 80•2.8 | 3500 | 380•15 | 150•5.9 | 290•11.41 |

*RPM = SUGGESTED COMPRESSOR SPEED

TECHNICAL CHARACTERISTICS

| | 35F | 50F | 35F | 50F | 35F | 50F | 35F | 50F |
|-----------------------------|------|------|-------|-------|-------|-------|-------|-------|
| Compressor speed RPM | 2000 | 2000 | 2500 | 2500 | 3000 | 3000 | 3500 | 3500 |
| Capacity (+35°/-10°C) Btu/h | 326 | 369 | 406 | 472 | 471 | 560 | 540 | 650 |
| Consumption in Amp (12V) | 3 A | 4 A | 3,4 A | 4,7 A | 3,9 A | 5,7 A | 4,6 A | 6,8 A |
| Consumption in W | 31 W | 45 W | 40 W | 56 W | 47 W | 66 W | 56 W | 81 W |

| | |
|-----------------|-------------------|
| Weight | 5,8 Kg • 12.7 lbs |
| Shipping weight | 6,6 Kg • 14.5 lbs |

SUPPLY TOLERANCE

| | |
|-------------|-----------|
| 12 V | 24 V |
| 10.5 - 17 V | 21 - 32 V |

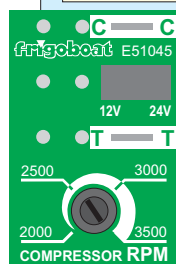
THERMOSTAT



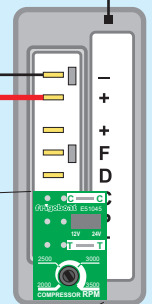
- FRIDGE Part N. **E250500**
- FREEZER Part N. **E250700**
- DOUBLE Part N. **E261300**
- FOR HOLDING PLATES Part N. **A020300**

ELECTRICAL SCHEMATIC

- SHIPS SUPPLY
- 1 - Battery
 - 2 - Isolation switch
 - 3 - Recommended fuse (12V = 15A - 24V = 8A)



ELECTRONIC CONTROLLER



ELECTRICAL CABLES TABLE

| Size | mm ² / Awg | max distance | | | |
|------|-----------------------|--------------|------|------|------|
| | | 12 V | | 24 V | |
| 2,5 | 14 | 2,5 | 8.2 | 5 | 16.4 |
| 4 | 12 | 4 | 13.1 | 8 | 26.2 |
| 6 | 10 | 6 | 19.6 | 12 | 39.4 |
| 10 | 8 | 10 | 32.8 | 20 | 65.6 |

D.C. REFRIGERATION

COMPRESSORS

| | | |
|-------------------------------|---------------------------------------|---|
| FOR FRIGDES UP TO 3.5 cu.ft | MADRID 35F PARIS 35 F ROMA 35 F | FOR FRIGDES UP TO 14.2 cu.ft 400 lt SUPERFRIGOMATIC K 50 F SUPERFRIGOMATIC K 50 F |
| FOR FRIGDES UP TO 5.6 cu.ft | CAPRI 35 F ELBA 35 F IBIZA 35 F | |
| FOR FRIGDES UP TO 12 cu.ft | CAPRI 50 F AH-AHL 35F AV 35 F | |
| FOR FRIGDES UP TO 13,47 cu.ft | W 35F K 35 F | |

HOLDOVER PLATE SYSTEMS

Series 2000

