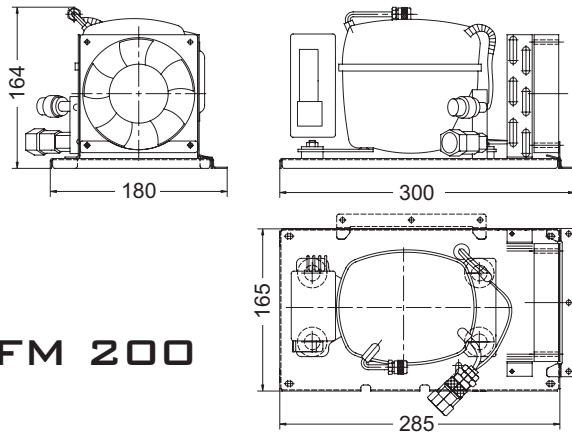
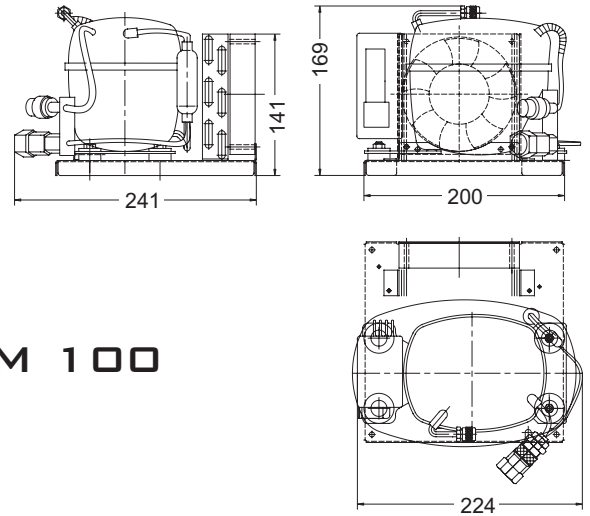


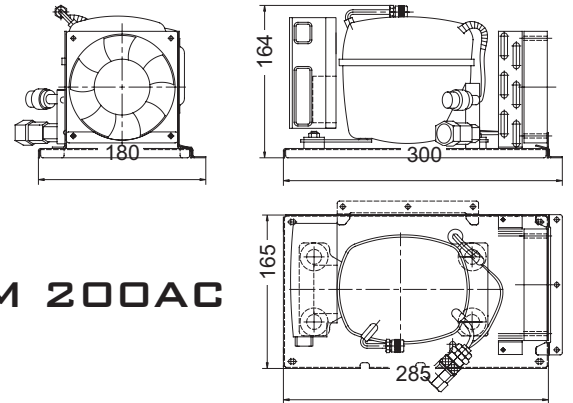
DC REFRIGERATION



FM 200



FM 100



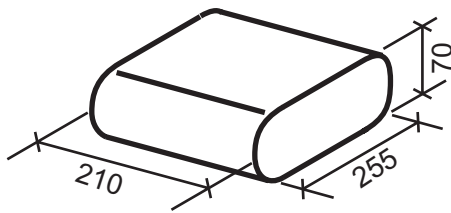
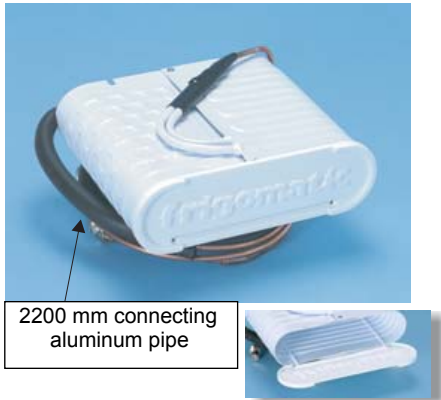
FM 200AC

TECHNICAL CHARACTERISTICS

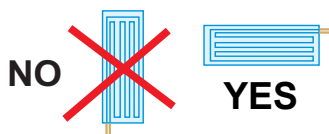
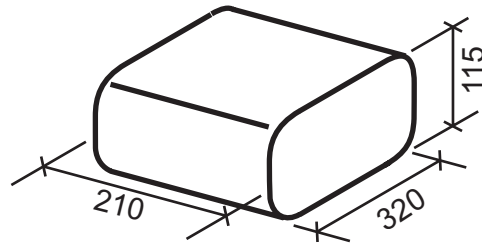
	FM 100	FM 200	FM 200AC
Part #	E52270	E52375	E20035AC
Voltage supply	12 - 24 vdc	12 - 24 vdc	12 - 24 vdc / 115 - 230 vac
Fridge capacity	100	200	200
Compressor speed RPM	2000	2500	2500
Capacity +55°/-15°C CECOMAF Btu/h ASHRAE +54,4°C/-15°C	149 (184)	186 (230)	186 (230)
Amp draw (12V)	2,8	3,7	3,7
W draw	33,6	44,1	44,1
Net weight	5,5	6	6
Shipping weight	6	6,5	6,5

SINGLE ALUMINUM PIPE EVAPORATORS

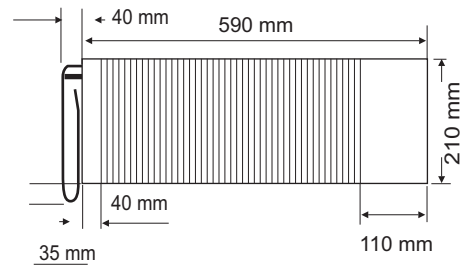
Mod. 130 H E52470



Mod. 160 H E52475



Mod. 130F E52255



Mod. 160 F E52480

